

FITTINGS, FLASHINGS & TRIMS



ideal roofing
Company Ltd. Manufacturers

1418 Michael St., Ottawa, Ontario K1B 3R2

Tel.: (613) 746-3206

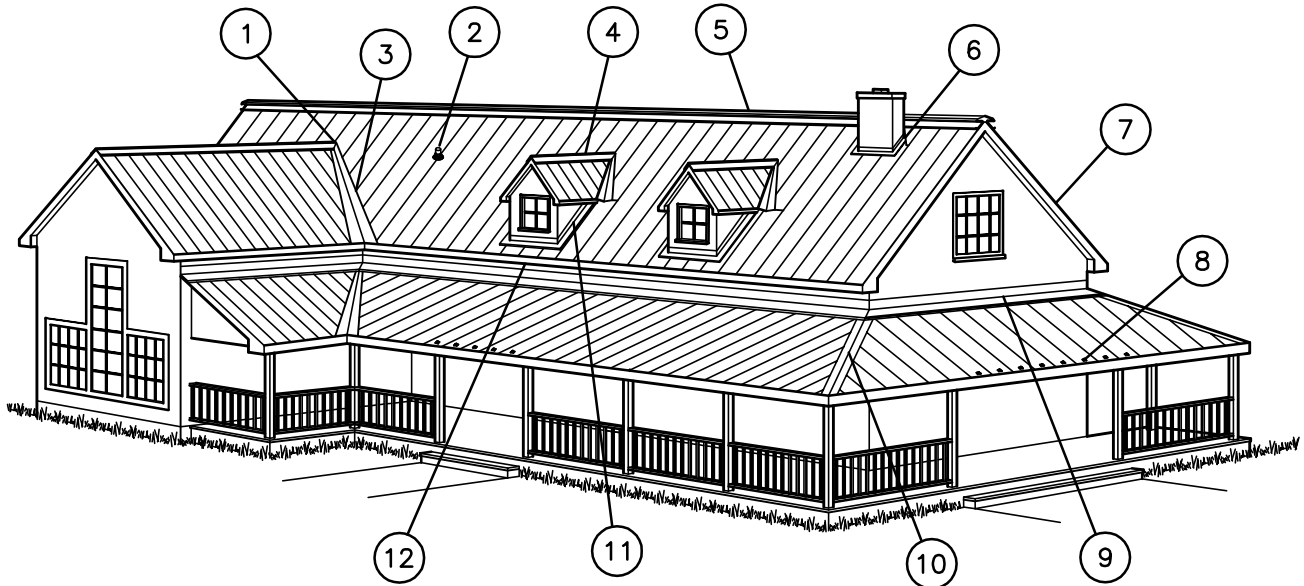
Fax: (613) 746-0445

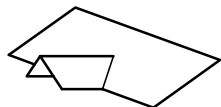
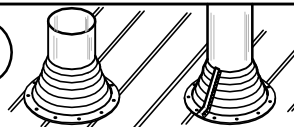
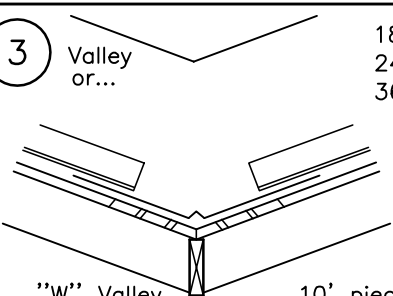
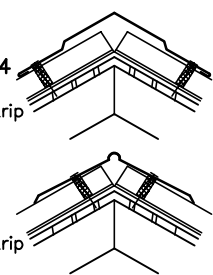
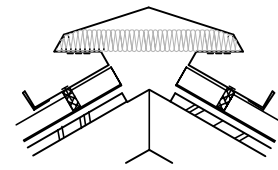
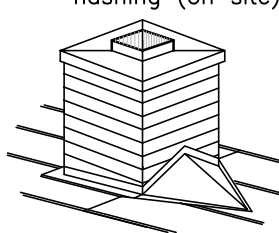
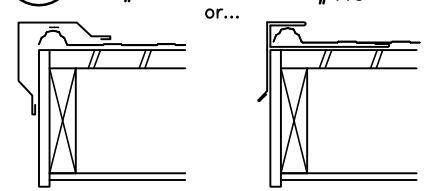
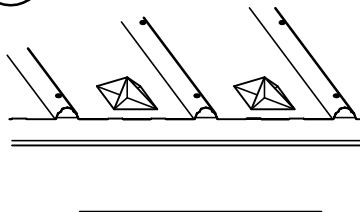
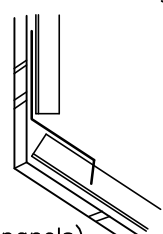
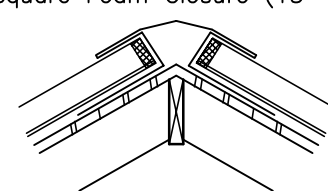
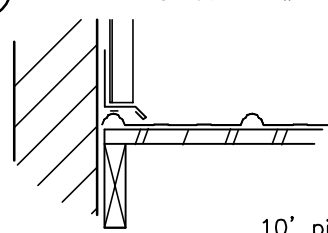
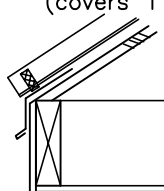
Wats Line: 1-800-267-0860

E-mail: info@idealroofing.ca

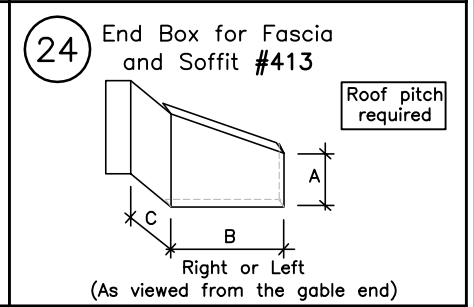
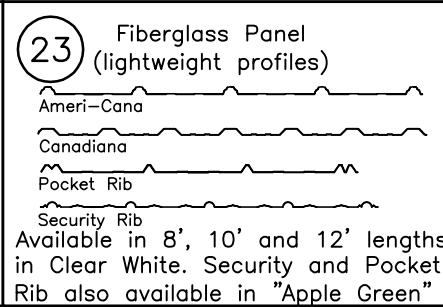
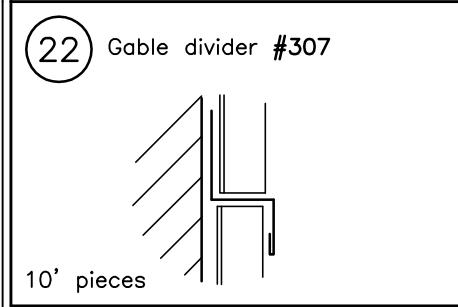
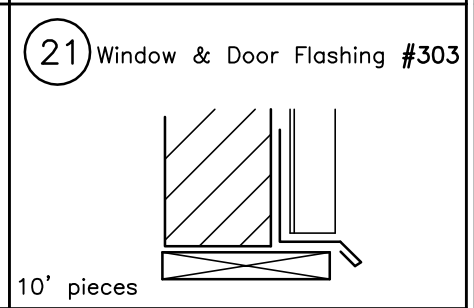
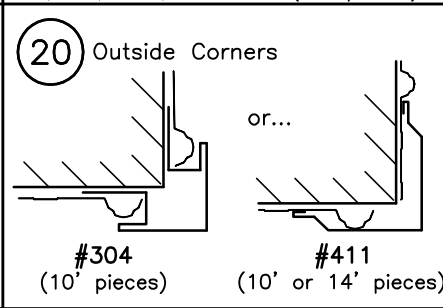
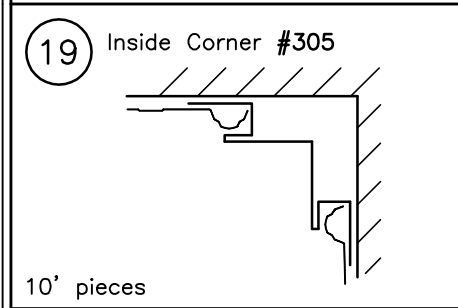
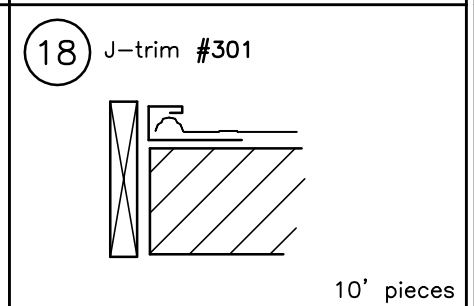
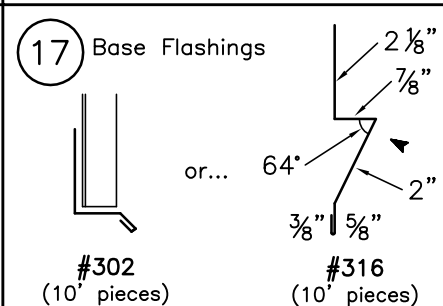
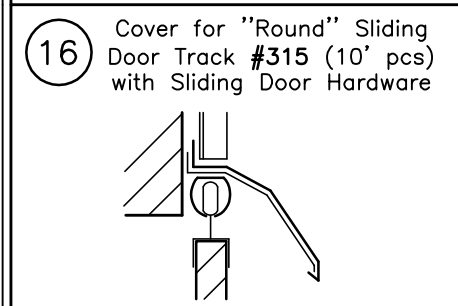
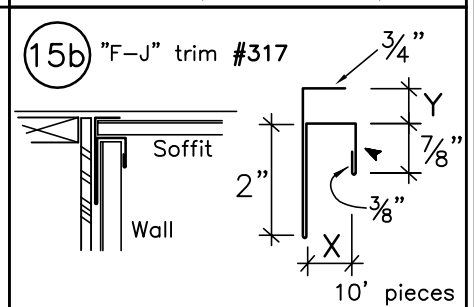
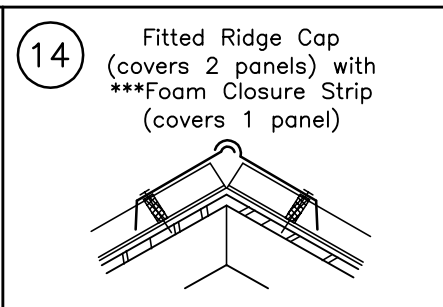
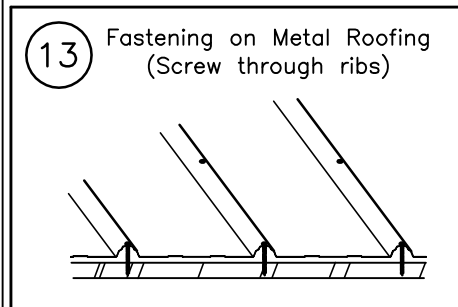
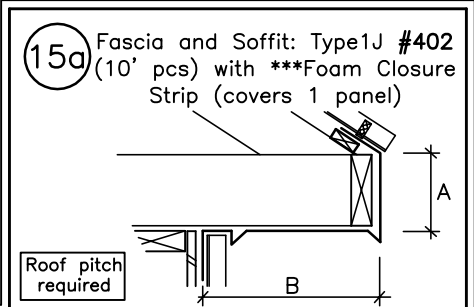
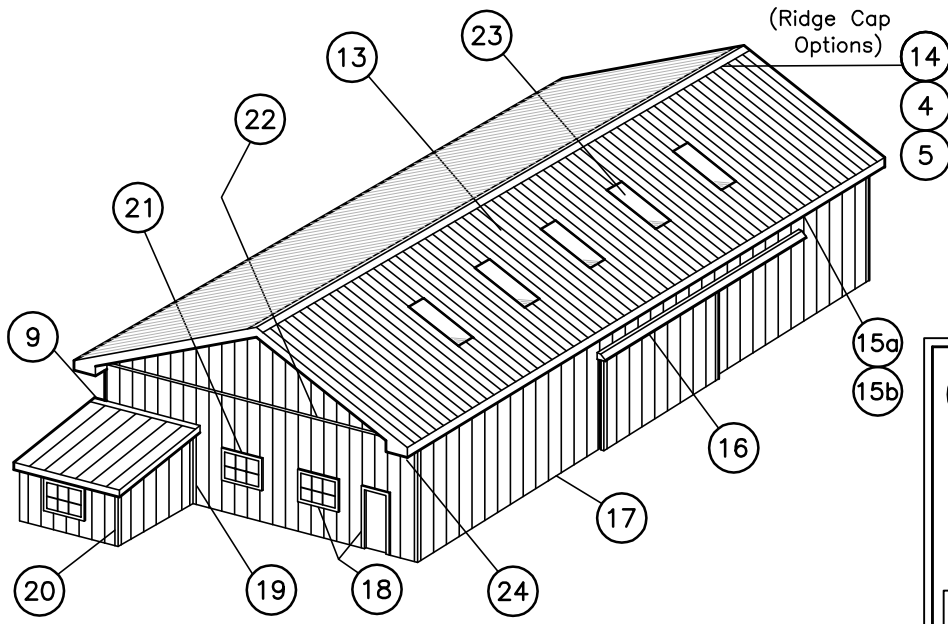
Website: www.idealroofing.com





<p>1 Dormer Cap (Satincoat Finish)</p>  <p>Both Main Roof pitch and Dormer pitch required</p>	<p>2</p>  <p>*"Dektite" **"Retrofit Dektite"</p> <p>*Size #3 fits 1/4" to 4" dia. *Size #4 fits 3" to 6" dia. *Size #8 fits 7" to 13" dia. *Size #9 fits 10" to 18" dia. *High Temp. Silicone #8 fits 7" to 13" dia. **Retrofit #802 fits 2" to 7-1/4" dia.</p>	<p>3 Valley or...</p>  <p>18" 24" 36"</p> <p>"W" Valley 10' pieces</p>
<p>4</p> <p>Liberty Cap #214 (10' pcs) with ***Foam Closure Strip (covers 1 panel)</p> <p>or...</p> <p>Ridge Roll (10' pcs) with ***Foam Closure Strip (covers 1 panel)</p> 	<p>5 Ridge Vent #206 (10' pcs), End Caps with ***Foam Closure Strip (covers 1 panel)</p> 	<p>6 Flat sheet to make cricket flashing (on site)</p> 
<p>7 Rake Edge Trim #411 or... "F" Gable Trim #415</p>  <p>10' and 14' pieces 10' pieces</p>	<p>8 Snow Diamond</p> 	<p>9 Fitted Wall flashing</p>  <p>(Covers 2 panels)</p>
<p>10 Cottage Roof Cap #210 (10' pcs) and <u>small</u> ***Square Foam Closure (15' roll)</p> 	<p>11 Wall Flashing Type S #205</p>  <p>10' pieces</p>	<p>12 Steel Roof Drip Edge #414 (10' pcs) with ***Foam Closure Strip (covers 1 panel)</p>  <p>Roof pitch required</p>

***Foam Closures sold separately



***Foam Closures sold separately

Preparation

- Plan the installation and rearrange your site to receive the material in the appropriate locations.
- Check roof squareness. At the corner where an eave and gable meet, measure eight feet along the eave purlin and mark. Then measure six feet up the gable edge from the eave and make another mark. Measure the distance between the two marks. If it is exactly ten feet, you have a square roof at that corner. Check all roof corners using this method.
- Make sure that you check the total width of the installed panels as you go along. Do not stretch the panel side way to compensate for the lack of squareness of your roof. This might cause local buckling of the material.
- Check the **deflection** on your roof prior to installing the panels. Use a string between the top and the bottom of the truss and check for any **deflection**. Shim the backing accordingly to receive the metal panels.

NOTE: The following instructions assume that the roof is square. If the roof is not square, the sheet along the gable can be trimmed along its length to match. A gable flashing is used to reduce the visual impact of the trimmed sheet.

Storage

- Moisture, condensation, wind driven rain can cause water stain, on stacked galvanized and pre-painted roofing and siding during storage.
- At reception of metal cladding, polyethylene wrapping must be taken off to avoid any condensation.
- Storage time could be minimized by installing the panels as soon as possible after delivery.
- If cladding must be stored for an extended period, the ideal storage place is under a roof in a cool, dry, well ventilated area.
- When outdoor storage is unavoidable, the following is recommended:
 1. Use good quality covers other than plastic, loosely shrouded over stacks and firmly anchored to prevent wind blow-off.
 2. Tilt bundles for drainage.
 3. Block bundles off the ground for effective ventilation and drainage.
 4. Store away from chemically aggressive substances (e.g. salt, cement, fertilizer) and away from materials that could contaminate the surface (e.g. diesel, oil, paint, grease).

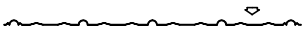
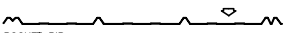
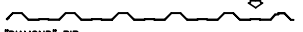
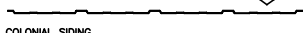
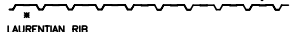
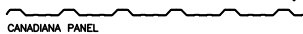
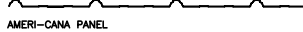
Tools and equipment

- Electric screw gun with adjustable torque.
- Snips or nibblers.
- High speed disc cutter (hand power saw) is not recommended. If the tool must be used, cut only one sheet at a time, and make sure that the painted surface faces downward. Keep away from other sheets since the filings will damage the paint finish. Wipe off all metal filing from the surface of the sheets.
- Chalk line, working gloves, proper eye protection, tape measure, string and screw (nail) apron.

Important notice

- Due to the coating process, plain galvanized and galvalume steel panels may vary in their brightness and size of zinc spangles.
- When ordering pre-painted panels, it is always preferable to order all items of the same color at the same time to avoid slight color differences between batches.
- The material should be checked against the shipping list as soon as it is received. Any damage or shortage of material on the bill of lading should be noted and reported to the driver or to our offices immediately.
- **Failing to apply any of the above instructions will result in total refusal for any claim to Ideal Roofing.**

QUICK REFERENCE

Lightweight steel and aluminum cladding		COIL WIDTHS	PROFILE WIDTHS	RIB HEIGHT	① FITTED FLASHINGS	② FOAM CLOSURE STRIPS	③ METAL CLOSURE
 SECURITY RIB	R/S	35.5"/36"	31"	0.5"	X	X	N/A
 POCKET RIB	R	35.5"/36"	29"	0.75"	X	X	N/A
 "DIAMOND" RIB	S	35.5"/36"	29.5"	0.75"		X	N/A
 COLONIAL SIDING	S	35.5"/36"	33.25"	0.375"			N/A
 LAURENTIAN RIB	S	35.5"/36"	30"	0.5"		X	N/A
 CANADIANA PANEL	S	41"	36"	0.625"		X	N/A
 AMERI-CANA PANEL	R/S	41"	36"	0.75"	X	X	N/A

-TO DETERMINE HOW MANY COVERED SQUARES, USE THIS FORMULA:

$$\frac{\text{Ridge Length}}{\text{Sheet Width (after forming)}} = \text{number of sheets required}$$

$$\frac{\text{number of sheets} \times \text{sheet length (inches)} \times \text{PANEL WIDTH}}{14400} = \text{COVERED SQUARES}$$

EXAMPLE: (using the Ameri-Cana profile)

$$\frac{32'-0''}{3'-0''} = 10.6 \text{ SHEETS (USE 11 sheets for one side)}$$

$$\frac{22 \text{ SHEETS} \times 144'' \times 36''}{14400} = 7.92 \text{ COVERED SQUARES}$$

USE THE PANEL WIDTH, AFTER FORMING, OF THE CHOSEN PROFILE.

- ◊ Pre-painted side
- Stiffener ribs can be added or removed
- R/S** Roof or siding application
- ① Fitted ridge cap, Fitted wall flashing, Fitted hip cap
- ② Foam Closure Strip: Over/Under sheet
- ③ **N/A** Metal Closure: NOT AVAILABLE for the lightweight profiles

