

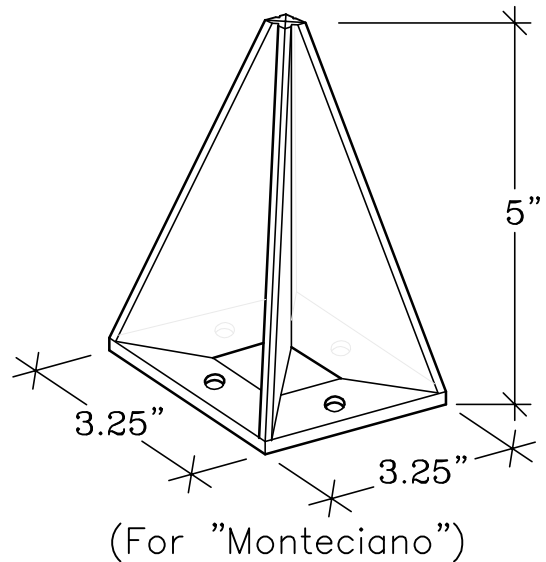
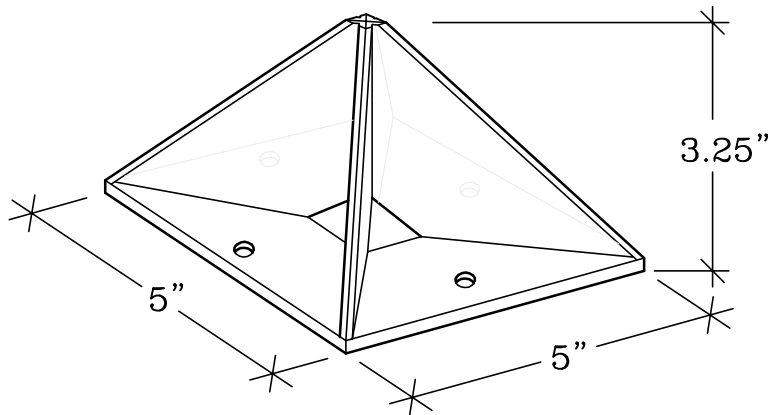
SNOW DIAMOND

1- Installation

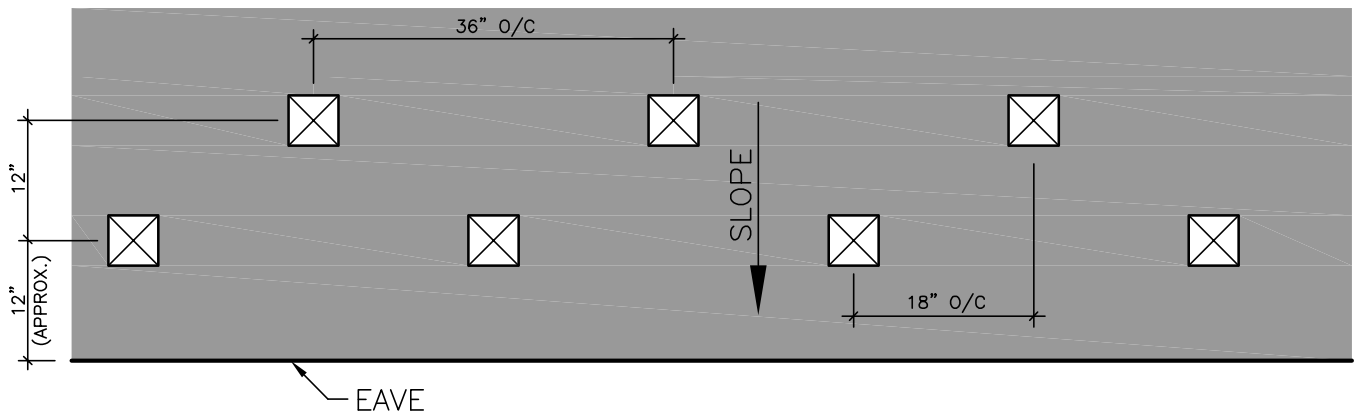
- Spread bead of sealant evenly underneath the Snow Diamond's base.
- Place the Snow Diamond in position on metal surface by applying light and even pressure. Insure solid backing underneath the Snow Diamond.
- Use screws with neoprene gaskets through pilot holes in the Snow Diamond and tighten to cause approximately 50% compression in neoprene gasket.
- Use four screws per piece. Make sure that all screws are attached to wood substrate. (Do not use this product over wood strapping.)

2- Materials

Clear, Polycarbonate polymer



Suggested Layout:



NOTE: For longer rafters, more than two rows (Snow Diamond) may be required.

