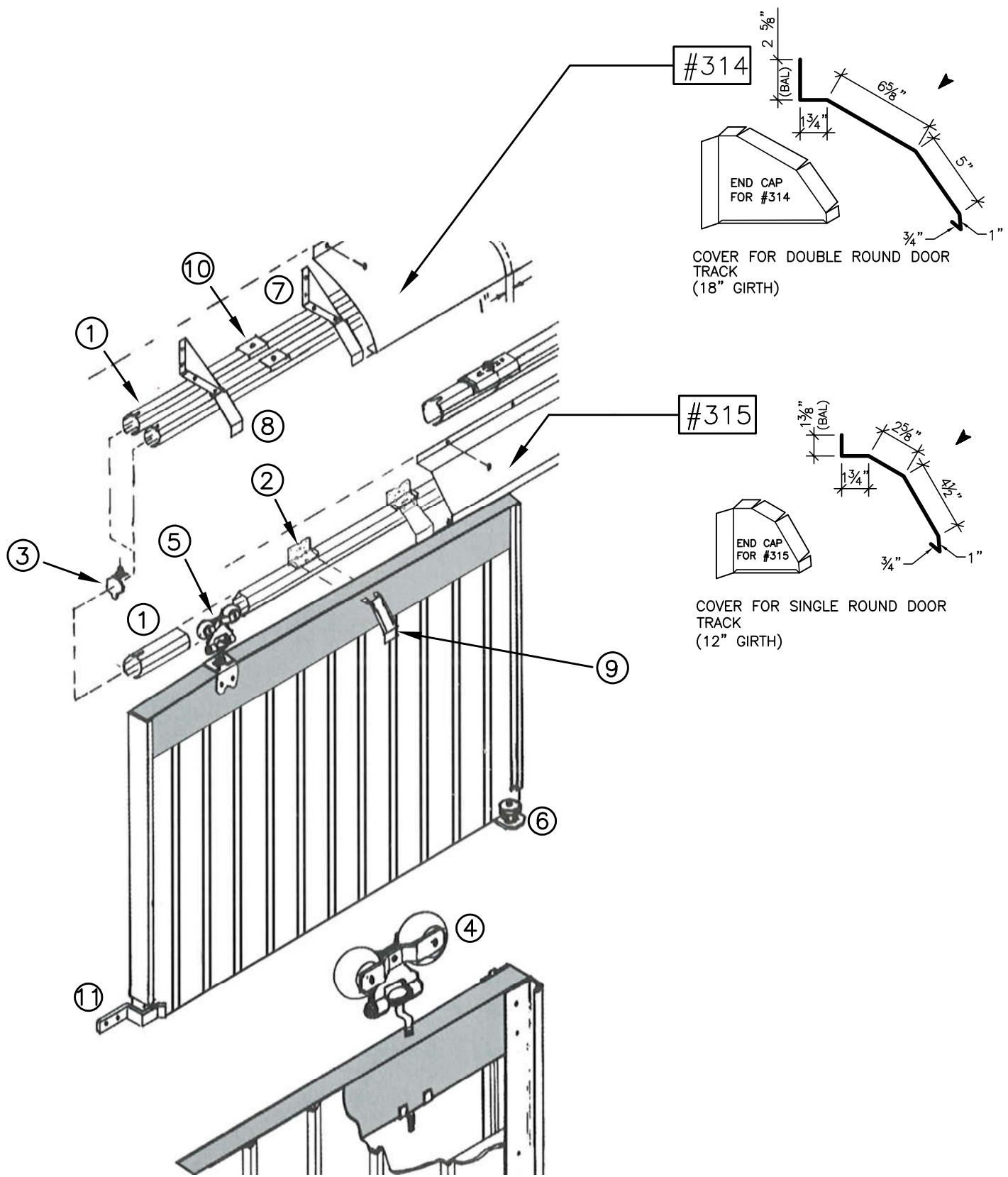




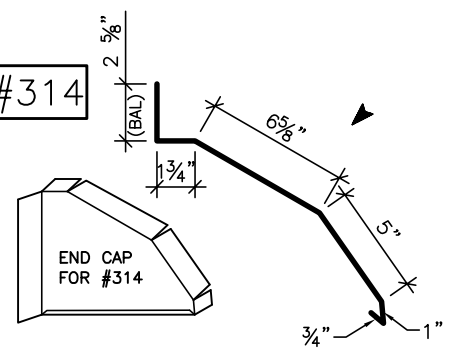
Round Track Sliding Doors  
Accessories



# Round Track Sliding Doors Accessories



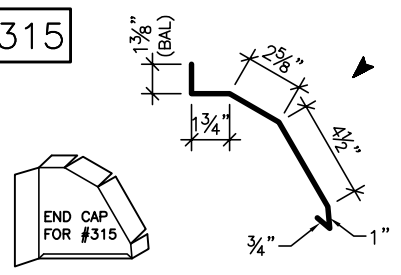
#314



END CAP FOR #314

COVER FOR DOUBLE ROUND DOOR TRACK (18" GIRTH)

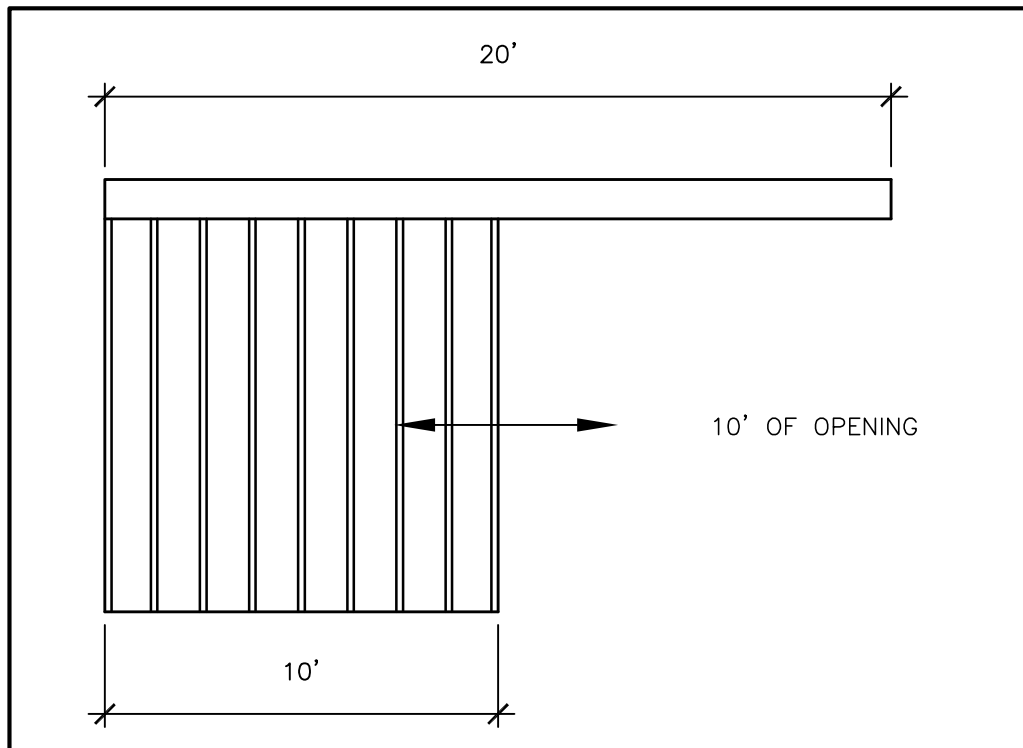
#315



END CAP FOR #315

COVER FOR SINGLE ROUND DOOR TRACK (12" GIRTH)

## Example:



- ① – 20', Single Track (1 pc of 20'). (Available in 8', 10', 12', 16' & 20').
- ② – 11 pcs, Side mount brackets (1 every 2 feet).
- ③ – 2 pcs, End plugs (1 on each end of the track).
- ⑤ – 2 pairs, Wood Hangers (1 every 3 feet, depending on the weight of the door).  
(Available in pairs only.)
- ⑥ – 1 pc, Stay Roller.
- ⑨ – 11 pcs, Track Cover brackets (same amount as the side mount brackets).
  - 20 ft, Track Cover (for Single track).  
(See flashing #315 or #314 for double Track.)
  - 2 pcs, End Caps for Track Cover #315 (1 left & 1 right).
- ⑩ – Splice Collar not needed for this exemple, since a 20' long track was used.
- ⑪ – 1 pc, Door Binder Stop.
- ⑫ – 1 pc, Door Pull (handle).