



BUILDING AND NEIGHBORHOOD COMPLIANCE DEPARTMENT (BNC)
BOARD AND CODE ADMINISTRATION DIVISION

MIAMI-DADE COUNTY
PRODUCT CONTROL SECTION
11805 SW 26 Street, Room 208
Miami, Florida 33175-2474
T (786) 315-2590 F (786) 315-2599
www.miamidade.gov/building/

NOTICE OF ACCEPTANCE (NOA)

Ideal Roofing Company Limited
1418 Michael Street
K1B 3R2
Ottawa, Ontario CANADA

SCOPE:

This NOA is being issued under the applicable rules and regulations governing the use of construction materials. The documentation submitted has been reviewed by Miami-Dade County Product Control Section and accepted by the Board of Rules and Appeals (BORA) to be used in Miami Dade County and other areas where allowed by the Authority Having Jurisdiction (AHJ).

This NOA shall not be valid after the expiration date stated below. The Miami-Dade County Product Control Section (In Miami Dade County) and/or the AHJ (in areas other than Miami Dade County) reserve the right to have this product or material tested for quality assurance purposes. If this product or material fails to perform in the accepted manner, the manufacturer will incur the expense of such testing and the AHJ may immediately revoke, modify, or suspend the use of such product or material within their jurisdiction. BORA reserves the right to revoke this acceptance, if it is determined by Miami-Dade County Product Control Section that this product or material fails to meet the requirements of the applicable building code. This product is approved as described herein, and has been designed to comply with the Florida Building Code including the High Velocity Hurricane Zone of the Florida Building Code.

DESCRIPTION: Wakefield Bridge Steel Shingles

LABELING: Each unit shall bear a permanent label with the manufacturer's name or logo, city, state and following statement: "Miami-Dade County Product Control Approved", unless otherwise noted herein.

RENEWAL of this NOA shall be considered after a renewal application has been filed and there has been no change in the applicable building code negatively affecting the performance of this product.

TERMINATION of this NOA will occur after the expiration date or if there has been a revision or change in the materials, use, and/or manufacture of the product or process. Misuse of this NOA as an endorsement of any product, for sales, advertising or any other purposes shall automatically terminate this NOA. Failure to comply with any section of this NOA shall be cause for termination and removal of NOA.

ADVERTISEMENT: The NOA number preceded by the words Miami-Dade County, Florida, and followed by the expiration date may be displayed in advertising literature. If any portion of the NOA is displayed, then it shall be done in its entirety.

INSPECTION: A copy of this entire NOA shall be provided to the user by the manufacturer or its distributors and shall be available for inspection at the job site at the request of the Building Official.

This NOA consists of pages 1 through 5.
The submitted documentation was reviewed by Alex Tigera.



NOA No.: 10-1006.14
Expiration Date: 03/24/16
Approval Date: 03/24/11
Page 1 of 5

ROOFING SYSTEM APPROVAL:

Category: Roofing
Sub-Category: Metal, Panels (Non-Structural)
Material: Steel
Deck Type: Wood
Maximum Design Pressure -125.95 psf

TRADE NAMES OF PRODUCTS MANUFACTURED OR LABELED BY APPLICANT:

<u>Product</u>	<u>Dimensions</u>	<u>Test Specifications</u>	<u>Product Description</u>
Wakefield Bridge Steel Shingle	Length: 38.875" Width: 12" Thickness 26 ga	TAS 110	Steel, preformed, Kynar coated, prefinished interlocking panels with a stucco embossed texture.

EVIDENCE SUBMITTED:

<u>Test Agency</u>	<u>Test Identifier</u>	<u>Test Name/Report</u>	<u>Date</u>
Intertek Testing Services	3193946COQ-007A	ASTM B 117	05/18/10
Intertek Testing Services	3193946COQ-007A	ASTM G 23	05/18/10
PRI Construction Materials Technologies	ITSC-033-02-01	TAS 100	03/10/10
PRI Construction Materials Technologies	ITSC-033-02-02	TAS 100	03/10/10
Intertek Testing Services	3193946COQ-007A	TAS 125	05/18/10
Intertek Testing Services	3197194MID-001r2	ASTM E 108	05/18/10



APPROVED ASSEMBLIES:

System:	Wakefield Bridge Steel Shingle
Deck Type:	Wood, Non-insulated
Deck Description:	New Construction $19/32$ " or greater plywood or wood plank, or for re-roofing $15/32$ " or greater plywood.
Slope Range:	4": 12" or greater
Maximum Uplift Pressure:	See Maximum Design Pressure below

Deck Attachment: In accordance with applicable Building Code, but in no case shall it be less than the following: Sheathing mechanically fastened to the joists with #8 x 1-3/4" wood screws spaced 6" o.c. In reroofing, where the deck is less than $19/32$ " thick (Minimum $15/32$ ") The above attachment method must be in addition to existing attachment.

Underlayment: Minimum underlayment shall be an ASTM D 226 Type II installed with a minimum 4" side-lap and 6" end-laps. Underlayment shall be fastened with corrosion resistant tin-caps and 12 gauge 1 1/4" annular ring-shank nails, spaced 6" o.c. at all laps and two staggered rows 12" o.c. in the field of the roll or any approved underlayment having a current NOA.

Fire Barrier: One layer of Elk Versashield. Or any approved fire barrier having a current NOA. Refer to a current fire directory listing for fire ratings of this roofing system assembly as well as the location of the fire barrier within the assembly. See Limitation # 1.

Valleys: Valley construction shall be in compliance with Roofing Application Standard RAS 133 and with the current published installation instructions and details in Ideal Roofing Company Limited's, Installation Manual.

Metal Panels and Accessories: Install the "Wakefield Bridge Steel Shingle" including flashing penetrations, valleys, end laps and accessories in compliance "Ideal Roofing Company Limited" current, published installation instructions and in compliance with the minimum requirements detailed in Roofing Application Standard RAS 133.

Panels shall be secured with corrosion resistant #12 of sufficient length to penetrate through the sheathing a minimum of $3/16$ " with plastic washers. The screw/washer shall be placed at every available slot in the shingle. (See Detail A) The panels in the next row shall be installed by attaching the bottom of the shingle to the top of the shingle of the row below. The panel is then secured as described above.

The "Wakefield Bridge Steel Shingle" shall be installed from left to right starting with a full panel on the first row, 2/3 and 1/3 of a panel on the second and third row. Repeat the steps for the remainder of the roof section.

Maximum Design Pressure: -125.95 psf (See General Limitation #2)

LIMITATIONS

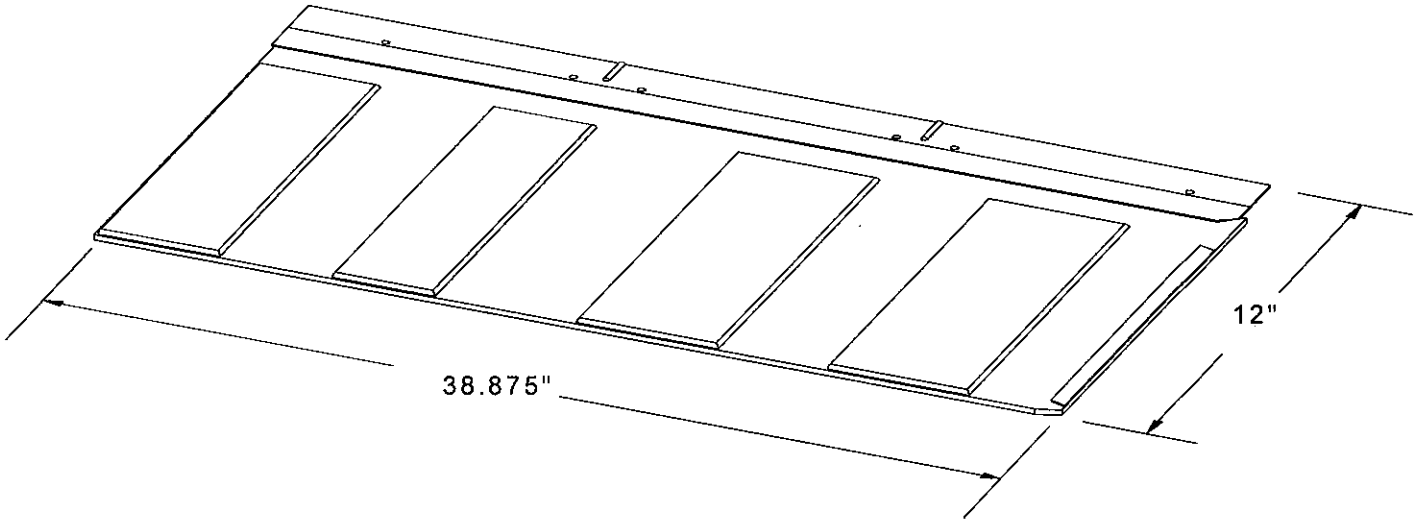
1. Fire classification is not part of this acceptance; refer to a current Approved Roofing Materials Directory for fire ratings of this product.
2. The maximum designed pressure listed herein shall be applicable to all roof pressure zones (i.e. field, perimeters, and corners). Neither rational analysis, nor extrapolation shall be permitted for enhanced fastening at enhanced pressure zones (i.e. perimeters, extended corners and corners).
3. All panels shall be permanently labeled with the manufacturer's name and/or logo, and the following statement: "Miami-Dade County Product Control Approved" or with the Miami-Dade County Product Control Seal as seen below. All clips shall be permanently labeled with the manufacturer's name and/or logo, and/or model.



4. All products listed herein shall have a quality assurance audit in accordance with the Florida Building Code and Rule 9B-72 of the Florida Administrative Code.



**PROFILE DRAWINGS
DETAIL A**



END OF THIS ACCEPTANCE



**NOA No.: 10-1006.14
Expiration Date: 03/24/16
Approval Date: 03/24/11
Page 5 of 5**