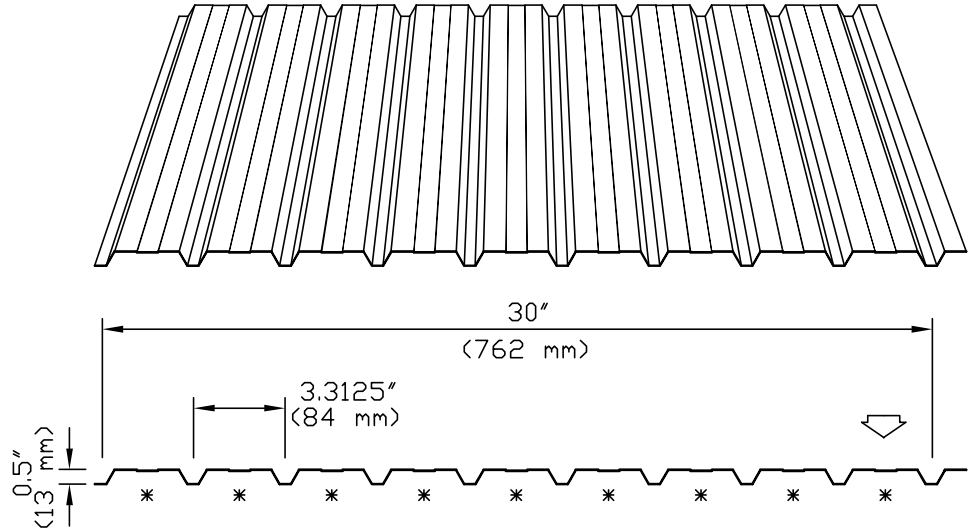


Ideal Roofing's Laurentian rib is a handsome and versatile siding profile; which can be used for residential or light commercial applications. The Laurentian Rib resembles the old fashion tongue and groove wood siding and is sure to beautify, enhance and protect your home or your commercial property.

The Laurentian rib's smooth and continuous pattern has been designed to make exposed fasteners only barely visible. Offering 1/2" (13mm) deep ribs, the "Laurentian rib" is formed in panels covering 30" (762mm) in width that can be custom cut to lengths up to 40 feet (12.2m) for fast and easy installation.

This panel is made with pre-painted galvanized (G-90) steel (.015"/0.38mm, .018"/0.38mm, .018"/0.45mm, .021"/0.54mm, or .026"/0.66mm) and comes in more than 21 durable and attractive "Perspectra/Weather X Series" colours (see your colour chart), to harmonize with any building or landscape design. Matching trims and flashings are available and can be bent to your specifications. (Details are available in your flashing brochure). Ideal Roofing also provides matching screws which ensure the most secure and lasting grip.



Laurentian Rib

AVAILABLE MATERIALS

Mill finish Galvanized Steel

- (ASTM-A653 SS grade 33, Z275 (G-90));
gauges: 30 (.015"/0.38mm thick),
28 (.018"/0.45mm thick),
26 (.021"/0.54mm thick),
24 (.026"/0.66mm thick).

Mill finish Galvalume Plus Steel

- (ASTM-A792 SS grade 33, AZ165);
gauges: 30 (.015"/0.38mm thick),
28 (.018"/0.45mm thick),
26 (.021"/0.54mm thick).

Pre-painted Galvanized Steel

- (ASTM-A653 SS grade 33, Z275 (G-90);
Perspectra/Weather X Series: see colour chart;
gauges: 30 (.015"/0.38mm thick),
28 (.018"/0.45mm thick),
26 (.021"/0.54mm thick),
24 (.026"/0.66mm thick).

Aluminum Plain and Diamond Embossed

- gauge: 25 (.0175"/0.44mm thick)

Aluminum Pre-painted White

- gauge: 23 (.023"/0.58mm thick)

Minimum Yield Stress	Fy = 33,000.00 P.S.I. (228 Mpa)
Maximum Working Stress Fb	= 20,625.00 P.S.I. (144 Mpa)
Young's Modulus (E)	= 29,500,000.00 P.S.I. (203 Mpa)

		UNIFORMLY DISTRIBUTED LOADS (psf/Kpa)					
Span Condition	Span In (mm)	30 gauge (.015" / 0.38mm)		28 gauge (.018" / 0.45mm)		26 gauge (.021" / 0.54 mm)	
		B	D	B	D	B	D
		S	24 (610)	53 (2.59)	50 (2.44)	62 (3.03)	62 (3.03)
I	30 (762)	34 (1.66)	26 (1.27)	40 (1.95)	32 (1.56)	49 (2.39)	42 (2.05)
N	36 (915)	24 (1.17)	15 (0.73)	27 (1.39)	18 (0.88)	34 (1.66)	24 (1.17)
G	42 (1067)	17 (0.83)	9 (0.44)	20 (0.98)	12 (0.59)	25 (1.23)	15 (0.73)
L	48 (1220)	13 (0.63)	6 (0.29)	15 (0.73)	8 (0.39)	19 (0.93)	10 (0.49)
E	54 (1372)	10 (0.49)	4 (0.20)	12 (0.59)	5 (0.24)	15 (0.73)	7 (0.34)
D	24 (610)	59 (2.88)	121 (5.90)	68 (3.32)	149 (7.23)	81 (3.96)	197 (9.62)
O	30 (762)	38 (1.86)	62 (3.03)	43 (2.10)	77 (3.76)	52 (2.54)	101 (4.93)
U	36 (915)	26 (1.27)	36 (1.76)	30 (1.46)	44 (2.15)	36 (1.76)	58 (2.83)
B	42 (1067)	19 (0.93)	23 (1.13)	22 (1.07)	28 (1.37)	26 (1.27)	37 (1.81)
L	48 (1220)	15 (0.73)	15 (0.73)	17 (0.83)	19 (0.93)	20 (0.98)	25 (1.22)
E	54 (1372)	12 (0.59)	11 (0.54)	13 (0.63)	13 (0.63)	16 (0.78)	17 (0.83)
T	24 (610)	73 (3.56)	95 (4.64)	85 (4.15)	118 (5.76)	101 (4.93)	155 (7.56)
R	30 (762)	47 (2.29)	49 (2.39)	54 (2.64)	60 (2.93)	65 (3.17)	79 (3.86)
I	36 (915)	33 (1.61)	28 (1.37)	38 (1.86)	35 (1.71)	45 (2.20)	46 (2.25)
P	42 (1067)	24 (1.17)	18 (0.88)	28 (1.37)	22 (1.07)	33 (1.61)	29 (1.42)
L	48 (1220)	18 (0.88)	12 (0.59)	21 (1.03)	15 (0.73)	25 (1.22)	19 (0.93)
E	54 (1372)	15 (0.73)	8 (0.39)	17 (0.83)	10 (0.49)	20 (0.98)	14 (0.68)

B = Load reduced for web crippling

D = Load capacity based on deflection L/180

*Stiffener ribs can be removed when specified by customer