



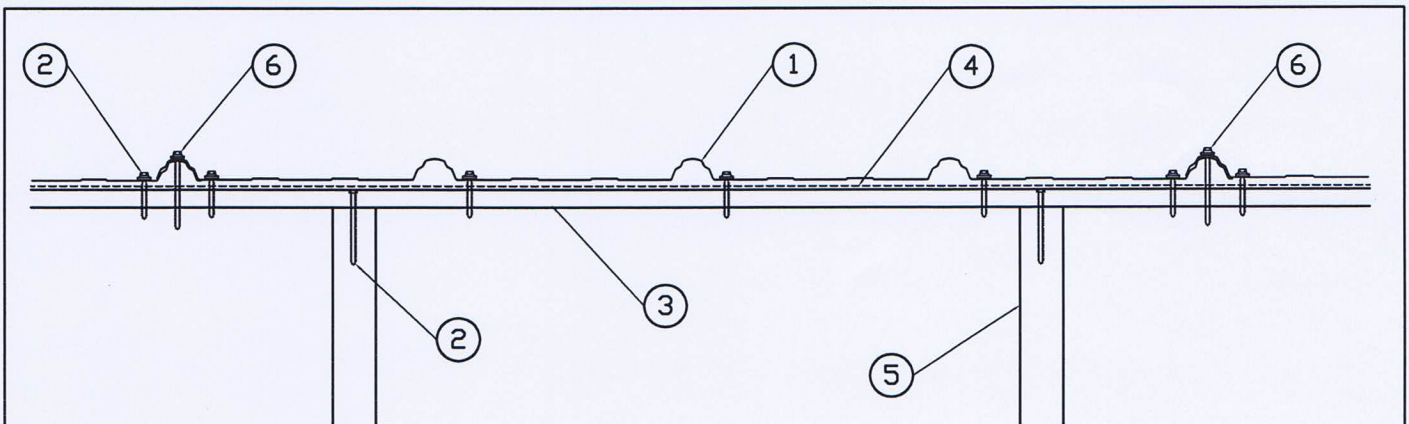
ideal roofing
Company Limited

idéa! revêtement
Compagnie Limitée

AMERI-CANA™
Wind Uplift Resistance, UL580 (Class 90)

The Ameri-Cana™ (29 gauge) profile is an approved roofing panel for wind uplift resistance test, UL580 (Class 90). On projects where the UL580 (Class 90) design is required, due to high wind pressures, the Ameri-Cana™ should be installed according to the following protocol. **Otherwise, install only the 2" long screws on each of the high ribs of the panel.**

Should you require additional information, please do not hesitate to call our office at 1-800-267-0860.



- 1. Metal Roof Deck Panels *** - .016" thick (29 gauge) coated steel, 36 in. wide (cover width).
- 2. Fasteners Screws** – Fasteners used to attach the plywood deck to the joists to be 2 in. long, No. 8 coarse thread screws. Fasteners to be spaced 6 in. OC at the plywood joists over supports and 12 in. OC in the field of the plywood. Fasteners used to attach the panels to the deck to be No. 9-15 x 1 in. long sharp point screws with a hex-washer head and sealing washer. Fasteners to be spaced a maximum of 12 in. OC along one side of each rib except at panel overlap locations where fasteners are to be spaced 12. in OC and located on both sides of the lap.
- 3. Deck** - Min 15/32 in. thick, Type C-D, APA rated plywood or minimum 7/16 in. thick oriented strand board.
- 4. Underlayment** – Min. Type 15 asphalt saturated felt, min. 2 in. sidelap, attached per manufacturer's recommendation.
- 5. Joists** – Graded dimension lumber, No. 2 or better. Spaced a maximum of 24 in. OC.
- 6. Joint Overlap Screws** – Use 2" long No.9 screws or 7/8" stitch screws, on the overlap of the roofing panels at 24" on center.

* Bearing the UL Classification Mark



MANUFACTURER OF
METAL CLADDING
MANUFACTURIER DE
REVÊTEMENT MÉTALLIQUE

1418, rue Michael St., Ottawa, Ont. K1B 3R2
(613) 746-3206 FAX (613) 746-0445



METALS SERVICE CENTER
CENTRE DE SERVICE DE
PRODUITS MÉTALLIQUES

AMC_ULDWG REV: DEC 1 '09